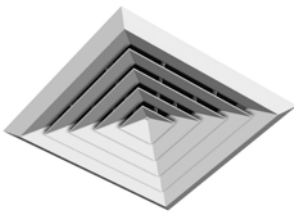


# PLASTIC DIFFUSERS AND GRILLES

## SILHOUETTE DIFFUSERS

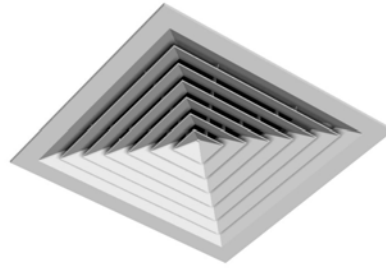
AdvantageAir



ST-30 4 WAY CORE



ST-30 3 WAY CORE



ST-60 METRIC TEEBAR



SILHOUETTE DIFFUSER WITH CUSHION HEAD ADAPTOR

### FEATURES

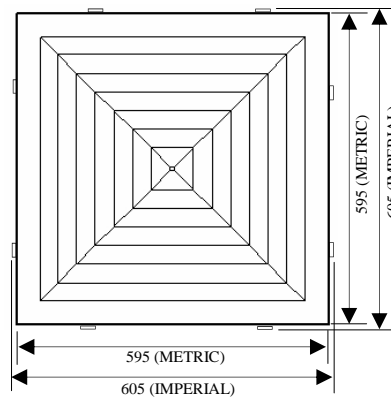
- Available in 2 sizes:
  - 280x280
  - 360x360 (Tee Bar)
- Easy to clean removable cores
- Alternative cores are available to suit the following blow configuration:
  - 280x280: 4 and 3 way blow
  - 360x360 (Tee Bar): 4 way blow
- Aesthetically pleasing louvre design
- Lightweight rigid construction
- 280x280 diffusers comes with spring loaded clips for quick and easy installation
- 360x360 Tee Bars are designed to drop in a standard commercial "T bar" ceiling grid. It can also be flush mounted in gyprock ceilings.
- 360x360 Tee Bar accepts all standard Advantage Air 360x360 neck adaptors and plastic cushion head adaptors.
- 280x280 silhouette diffuser accepts all standard Advantage Air 280x280 neck adaptors and plastic cushion head adaptors.



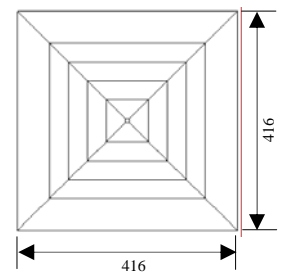
SPRING CLIPS SUPPLIED SEPARATELY IN PACKS OF 4

### DIMENSIONS

(ST-60) TEEBAR



(ST-30)



### CONSTRUCTION

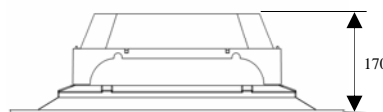
- Constructed from blended engineering plastics

### APPLICATIONS

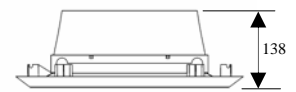
- Ideal for residential and commercial reverse cycle air conditioning, heating and ventilation applications.

### OPTIONAL EXTRAS

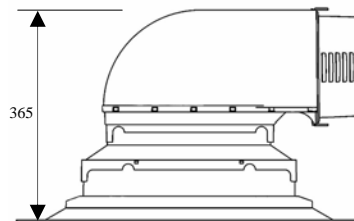
- Plastic neck adaptors
- Plastic cushion head adaptors
- Sheet metal cushion head adaptors
- Steel clips for Tee Bar diffusers
- Sheet metal OBD dampers
- Tabs on Tee Bar diffusers for installations to imperial ceiling grids.



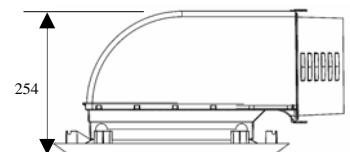
ST-60 with standard Advantage air neck adaptor



ST-30 with standard Advantage air neck adaptor



ST-60 with Advantage air plastic cushion head adaptor

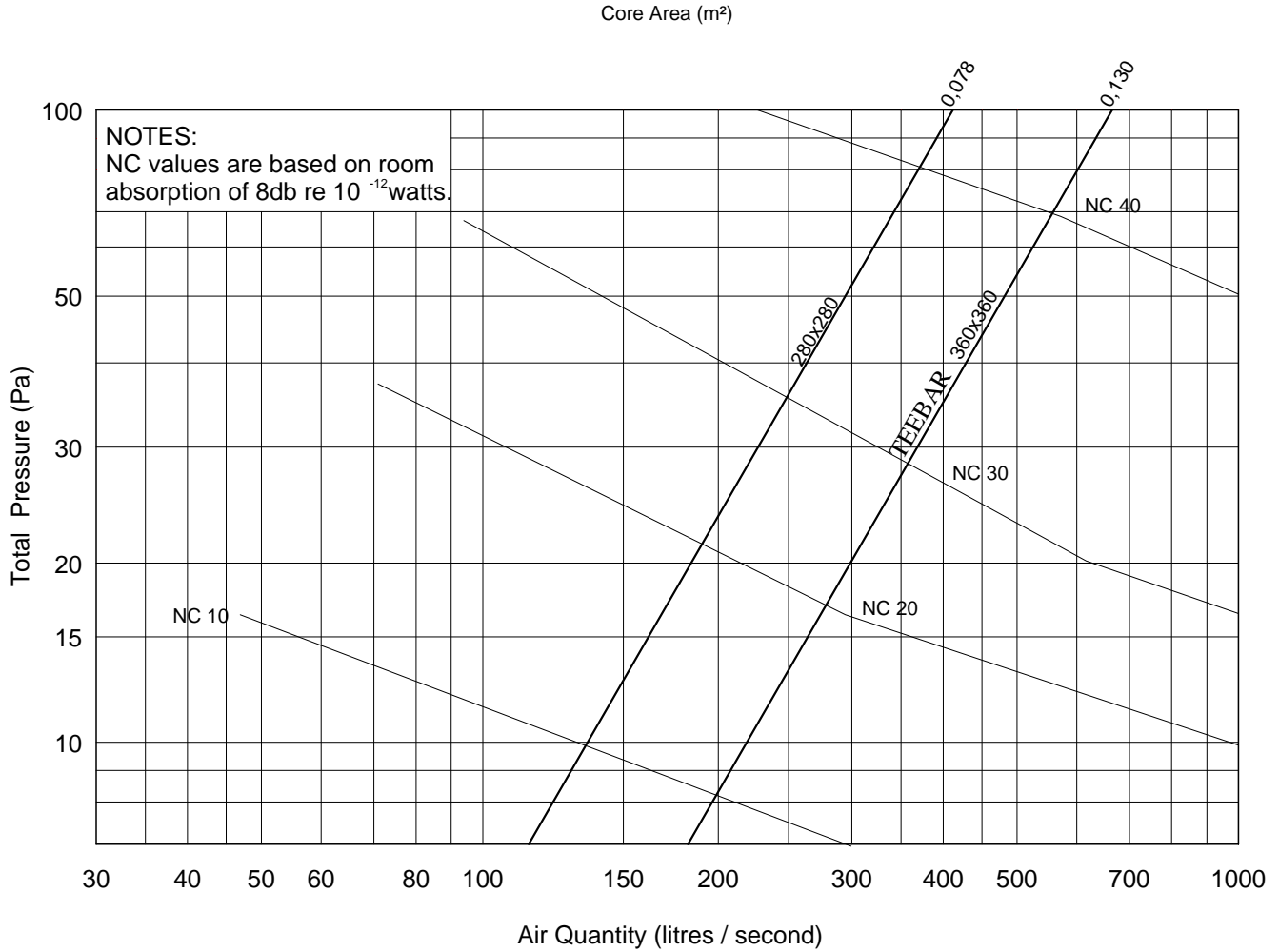


ST-30 with Advantage air plastic cushion head adaptor

# PLASTIC DIFFUSERS AND GRILLES SILHOUTTE DIFFUSERS - PERFORMANCE CHART



## SILHOUTTE DIFFUSERS TEEBAR (360X360) & (280X280) DIFFUSER



### SQUARE CEILING DIFFUSERS

# PLASTIC DIFFUSERS AND GRILLES

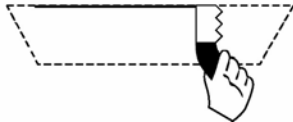
## 280X280 SILHOUETTE DIFFUSER (ST-30)

### CEILING INSTALLATION INSTRUCTIONS

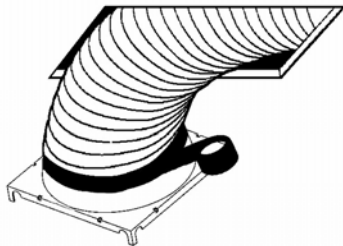
1. Select the required position for the grille. Ensure there are no obstructions above the ceiling in the selected location. Mark the opening for the grille as follows:

Cutout Size: 380 mm X 380 mm

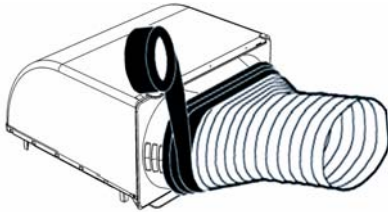
2. Carefully cut opening in ceiling.



- 3a. Pull the duct through the opening in the ceiling and attach the neck adaptor to the duct using duct tape.

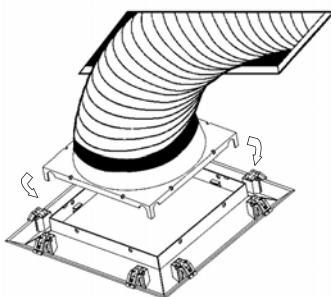


- 3b. When using a Cushion Head Adaptor, pull the duct through the opening in the ceiling and attach the Cushion Head Adaptor to the duct using duct tape.

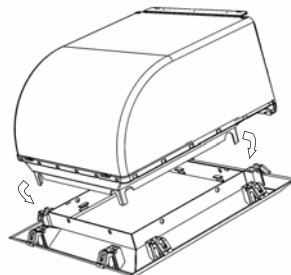


4. Clip on the neck adaptor or cushion head adaptor to the diffuser.

Ensure that all clips are properly engaged to prevent any leakage between the grille frame and the neck adaptor/cushion head adaptor.

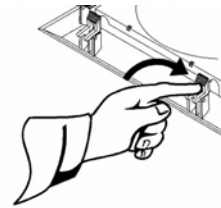


Neck adaptor to diffuser

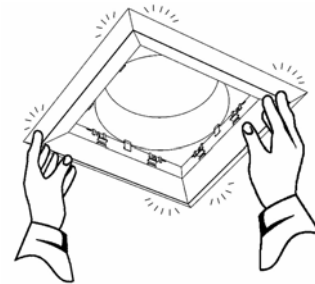


Cushion head adaptor to diffuser

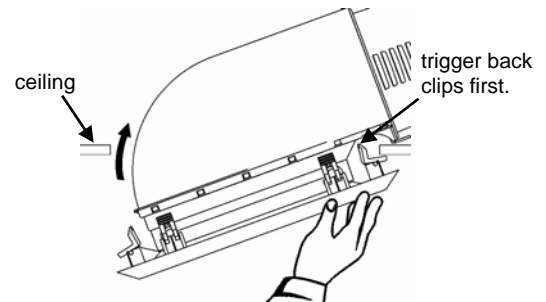
5. Load all 8 striker clips in the upright position. TAKE CARE you do not accidentally trigger a clip and catch your finger.



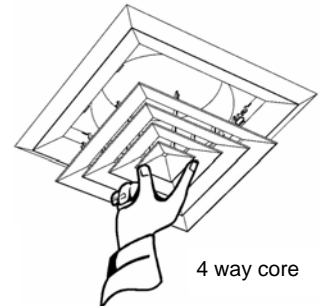
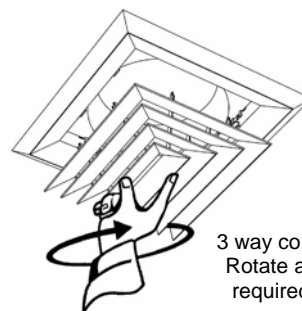
- 6a. Carefully pass the grille frame up into the opening ensuring all 8 clips are triggered down.



- 6b. Carefully slide the cushion head through the opening in the ceiling and ensure the back clips are engaged first followed by the other clips.



7. Clip in the core to give the required throw direction.



8. To clean grille, wipe down with warm soapy water. To ease cleaning, the grille core can be removed and washed separately.

9. Please recycle all packaging.



#### No liability

Make sure you read and understand all the installation instructions before you install this Silhouette diffuser. Advantage Air (Aust) Pty Ltd does not accept any responsibility for any loss or damage that may be caused either directly or indirectly by the installation of this Silhouette diffuser.

# PLASTIC DIFFUSERS AND GRILLES

## 360x360 SILHOUETTE DIFFUSER (ST-60)

### CEILING INSTALLATION INSTRUCTIONS

AdvantageAir

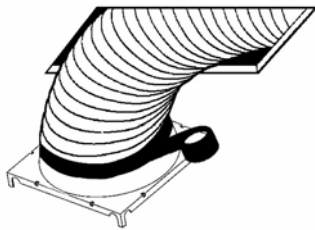
1. Select the required position for the grille. Ensure there are no obstructions above the ceiling in the selected location. Mark the opening for the grille as follows:

Cutout Size: 514 mm X 514 mm

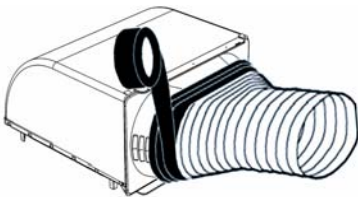
2. Carefully cut opening in ceiling.



- 3a. Pull the duct through the opening in the ceiling and attach the neck adaptor to the duct using duct tape.



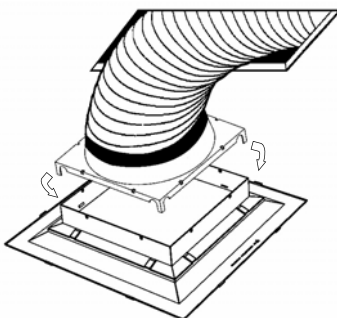
- 3b. When using a Cushion Head Adaptor, pull the duct through the opening in the ceiling and attach the Cushion Head Adaptor to the duct using duct tape.



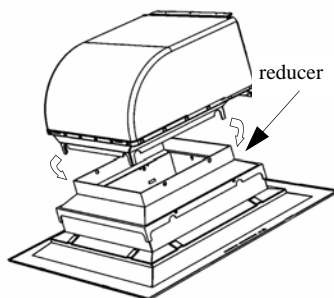
4. Clip on the neck adaptor or cushion head adaptor to the diffuser.

Ensure that all clips are properly engaged to prevent any leakage between the grille frame and the neck adaptor/cushion head adaptor.

When using a cushion head adaptor, a 360x360 to 280x280 reducer is required.

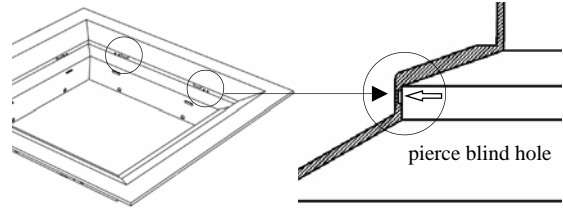


Neck adaptor to diffuser

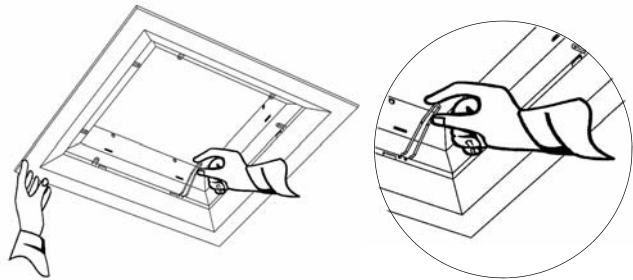


Cushion head adaptor to diffuser

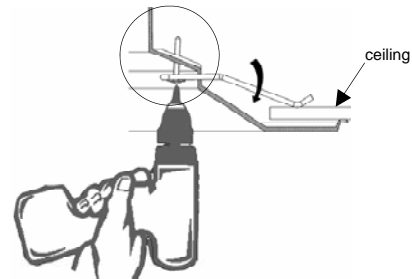
5. With a sharp object, pierce all blind holes in the diffuser frame to create a hole for the spring clip.



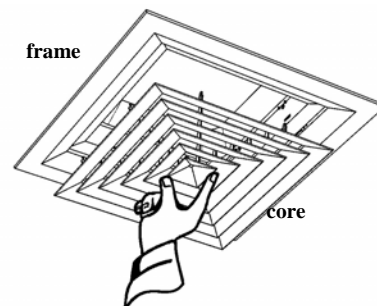
6. Lift the diffuser flush against the ceiling and insert all 4 spring clips into the hole in the orientation shown below. Ensure the clips are pushed-in all the way. If required, up to 8 spring clips can be used.



7. Secure the clips into the diffuser using the screws provided. Position the screw in the middle of the spring clip and screw into the thick portion of the frame. Tighten the screws until all the edges of the frame sits flush against the ceiling. Take care not to over tighten the clips.



8. Clip in the grille core. If core does not clip in correctly, adjust the screw fixing tension.



9. To clean grille, wipe down with warm soapy water. To ease cleaning, the grille core can be removed and washed separately.

10. Please recycle all packaging.



#### No liability

Make sure you read and understand all the installation instructions before you install this Silhouette diffuser. Advantage Air (Aust) Pty Ltd does not accept any responsibility for any loss or damage that may be caused either directly or indirectly by the installation of this Silhouette diffuser.

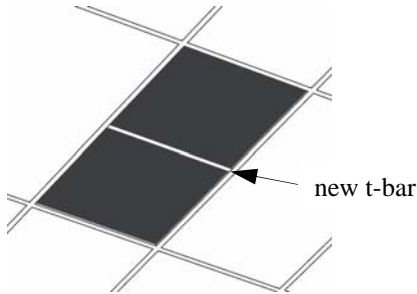
# PLASTIC DIFFUSERS AND GRILLES

## 360x360 SILHOUETTE DIFFUSER (ST-60)

### METRIC / IMPERIAL T-BAR INSTALLATION INSTRUCTIONS

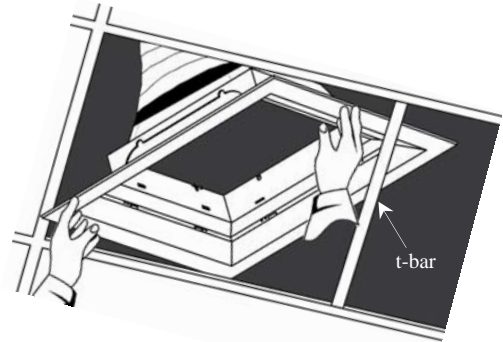


1. Remove existing ceiling panel and introduce new t-bar in the center of the grid. (new t-bar not provided)

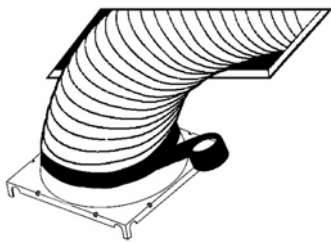


4. Lift the diffuser through the ceiling. Tilt it diagonally with respect to the opening, so that it fits through.

Gently, drop the frame into the t-bar, ensuring the diffusers sits square with respect to the grid.

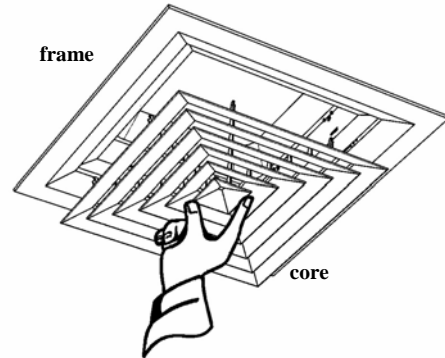


2a. Pull the duct through the opening in the ceiling and attach the neck adaptor to the duct using duct tape.

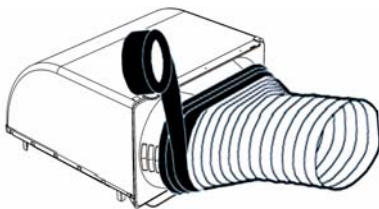


5.

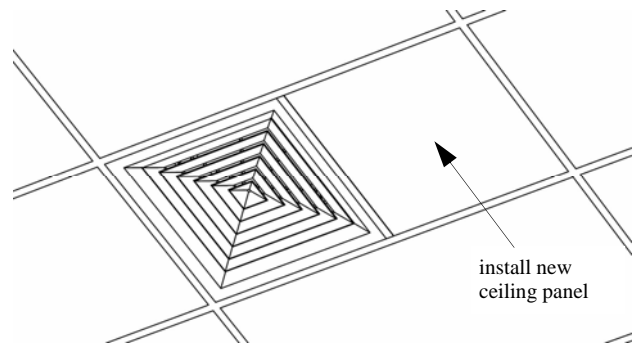
Clip in the grille core.



2b. When using a Cushion Head Adaptor, pull the duct through the opening in the ceiling and attach the Cushion Head Adaptor to the duct using duct tape.



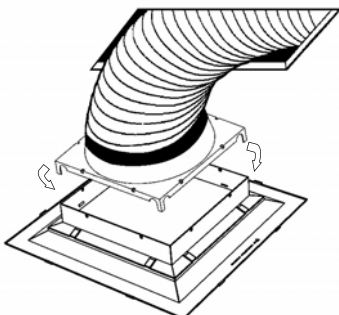
6. Replace the ceiling panels.



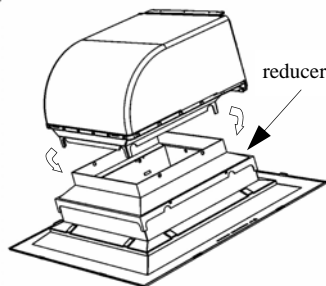
3. Clip on the neck adaptor or cushion head adaptor to the diffuser.

Ensure that all clips are properly engaged to prevent any leakage between the grille frame and the neck adaptor/cushion head adaptor.

When using a cushion head adaptor, a 360x360 to 280x280 reducer is required.



Neck adaptor to diffuser



Cushion head adaptor to diffuser

7. To clean grille, wipe down with warm soapy water. To ease cleaning, the grille core can be removed and washed separately.

8. Please recycle all packaging.



#### No liability

Make sure you read and understand all the installation instructions before you install this Silhouette diffuser. Advantage Air (Aust) Pty Ltd does not accept any responsibility for any loss or damage that may be caused either directly or indirectly by the installation of this Silhouette diffuser.



# PLASTIC DIFFUSERS AND GRILLES PLASTIC CUSHION HEAD

AdvantageAir



## FEATURES

- Low cost
- Lightweight rigid construction
- Provides even airflow across entire diffuser face
- Suitable for restricted ceiling voids
- Curved design allows easy ceiling installation
- Internal insulation reduces risk of condensation and provides excellent acoustic properties
- Integral hanging points

## OPTIONAL EXTRAS

- Can be internally insulated with a 'closed cell' polyethylene adhesive material or a 25mm (black scrim or perforated foil) fibreglass
- Manual or Motorised inlet damper when used with CEAR.

## CONSTRUCTION

- Constructed from ABS blended engineering plastics

## APPLICATIONS

- Suitable for use on:
  - streamline diffusers
  - silhouette diffusers
  - Spigot sizes available 200/250/300 diameter

## DIMENSIONS

